

VOLVO  
KA 184

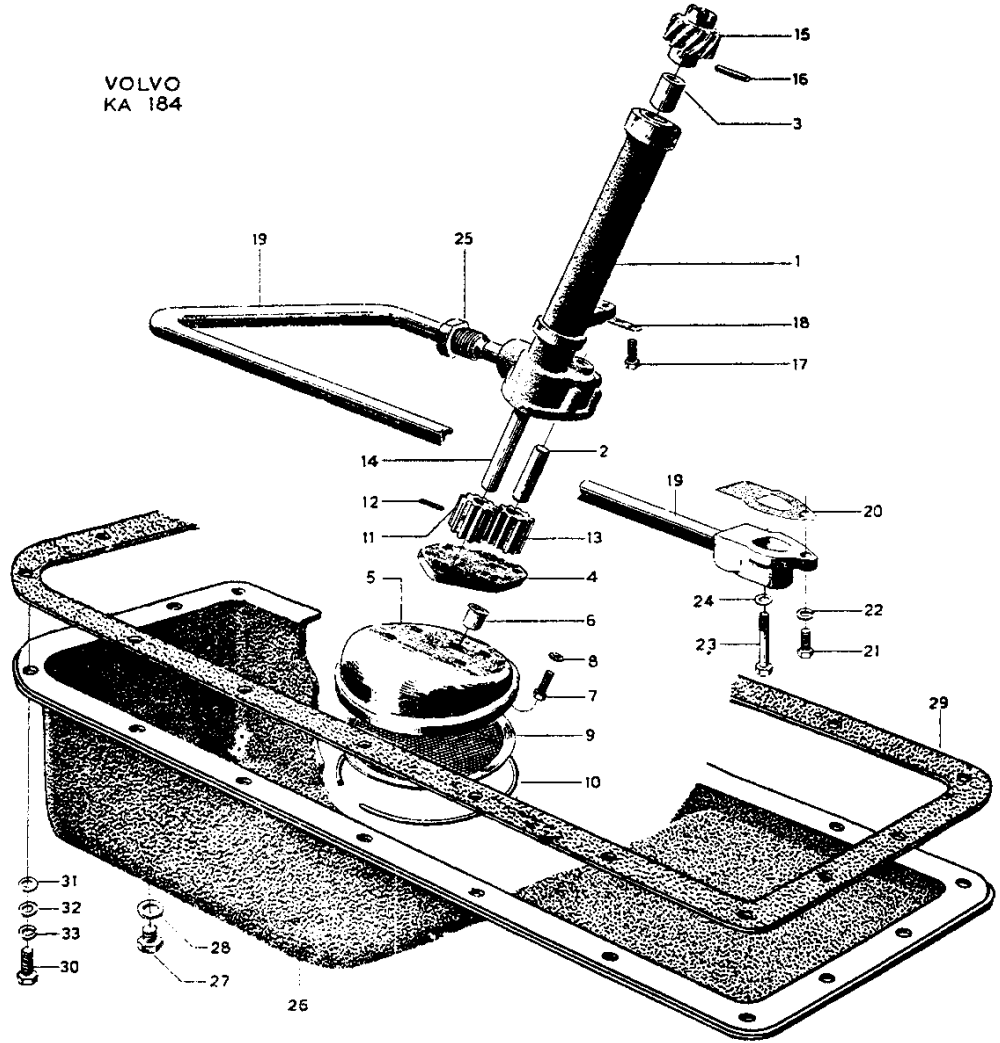


Fig.5

Fig. No.	Description	Part No.	Qty.
<u>LUBRICATING SYSTEM</u>			
	<u>Oil pump</u> , cpl. (steel drive gear)	403021 <sup>1)*</sup>	1
	Oil pump, cpl. (cast-iron drive gear)	403962 <sup>2)</sup>	1
5- 1	. Housing, cpl.	403022	1
5- 2	. . Bearing pin for gear	44451	1
5- 3	. . Bushing for drive shaft	18130	2
5- 4	. Cover	403568	1
5- 5	. <b>Strainer housing</b>	403464	1
5- 6	. Suction pipe	403571	1
5- 7	. Bolt	902253	4
5- 8	. Spring washer	906987	4
5- 9	. Strainer	403483	1
5-10	. Lock ring	118123	1
5-11	. Gear, driving	418104	1
5-12	. Slotted pin	907177	1
5-13	. Gear, driven	418103	1
5-14	. Drive shaft	403067	1
	. Gear at camshaft, steel	403068 <sup>3)*</sup>	1
5-15	. Gear at camshaft, cast-iron	403884 <sup>2)</sup>	1
5-16	. Slotted pin	907178	1
5-17	Bolt	902281	2
5-18	Lock washer	403181	1
5-19	<u>Delivery pipe</u>	403232	1
5-20	Gasket	403122	1
5-21	Bolt, l = 16	902253	1
5-22	Spring washer	906987	1
5-23	Bolt, l = 35	902258	1
5-24	Copper packing	11991	1
5-25	Screw union	20139	1
5-26	<u>Oil pan</u>	403827	1
5-27	Oil drain plug	16322	1
5-28	Copper packing	11994	1
5-29	Gasket	403017	1
5-30	Bolt	902251	18
5-31	Base washer	11961	15
5-32	Copper packing	11991	2
5-33	Spring washer	906987	16

1. B 16 A engines up to engine No. 21571, except Nos. 9538-9735, 10351-10622.

2. B 16 A engines w.e.f. engine No. 21572 and Nos. 9538-9735, 10351-10622.  
All B 16 B and B 16 D engines.

3. B 16 A engines up to engine No. 21571, except Nos. 9538-9735, 10351-10622.  
Can have already been replaced, through a spare parts replacement, with a cast-iron drive gear.

\* See Service Bulletin Group 205 No. A 19.